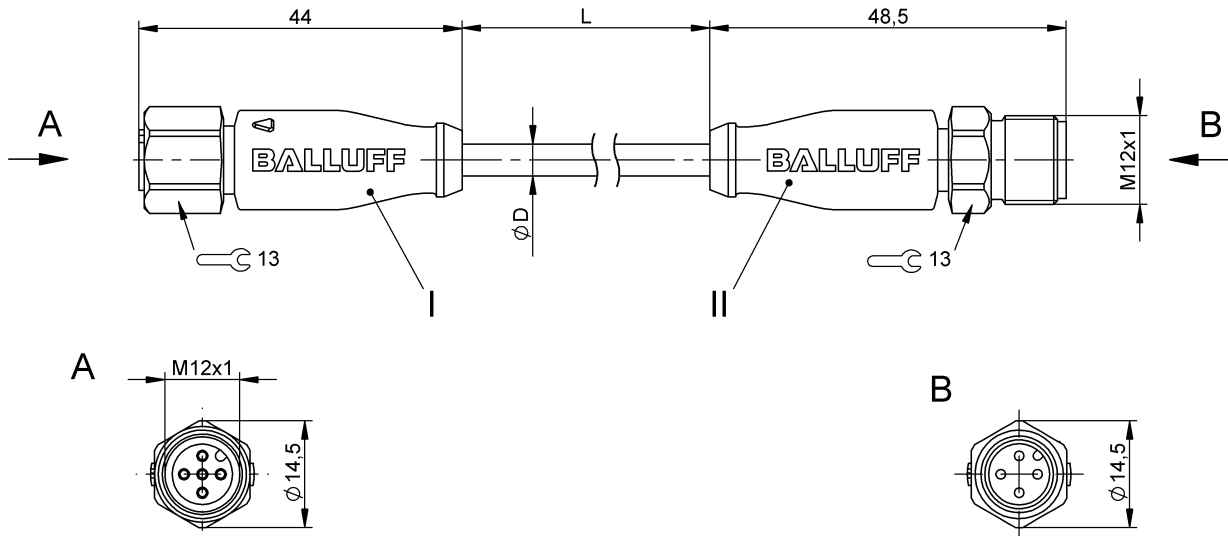


Double-Ended Cordsets  
**BCC S415-S414-3A-304-PX0434-015**  
 Order Code: BCC0EYR

**BALLUFF**



**Basic features**

Approval/Conformity	CE cULus Ecolab WEEE
---------------------	-------------------------------

**Electrical connection**

Bending radius min., fixed cable	5 x D
Bending radius min., flexible cable	10 x D
Cable	PUR black, 1.5 m, drag chain compatible
Cable diameter D	4.70 mm ±0.20 mm
Cable, bending cycles min.	5 mil.
Cable, torsion stress	±180°/m
Conductor cross-section	0.34 mm <sup>2</sup>
Connection 1	M12x1-Female, straight, 5-pin, A-coded
Connection 2	M12x1-Male, straight, 4-pin, A-coded
Number of conductors	4
System	Molded/Molded

**Electrical data**

Operating voltage U <sub>b</sub>	250 VDC / 250 VAC
Rated current (40 °C)	4.0 A

**Environmental conditions**

Cable temperature UL max., fixed routing	80 °C
Cable temperature UL max., flexible routing	80 °C
Cable temperature, drag chain	-25...60 °C
Cable temperature, fixed routing	-50...90 °C
Cable temperature, flexible routing	-25...90 °C
IP rating	IP67, IP68, IP69K/IP67, IP68, IP69K

**Interface**

Switching output	Complementary
------------------	---------------

**Material**

Cable jacket, material	PUR
Material contact carrier	PUR/PUR
Material contacts	Bronze/Brass
Material cover nut	1.4404 stainless steel/1.4404 stainless steel
Material grip	PUR/PUR

Double-Ended Cordsets  
**BCC S415-S414-3A-304-PX0434-015**  
**Order Code: BCC0EYR**



**Mechanical data**

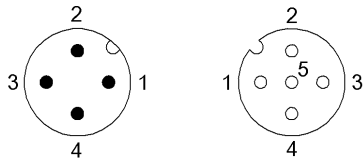
Acceleration max., drag chain	5 m/s <sup>2</sup>
Cable jacket, color	black
Cable length L	1.50 m
Cable properties	drag chain compatible

Horizontal travel permitted, drag chain	5 m
Tightening torque pigtail	0.6 Nm/0.6 Nm
Traverse speed max., drag chain	200 m/min
Vertical travel permitted, drag chain	5 m

**Remarks**

Cable construction acc. to UL-AWM Style 20549  
 Halogen-free per DIN VDE 0472 Part 815  
 Silicone-free  
 Flame-retarding acc. to IEC 60332-2  
 Enclosure rating per IEC 60529 or 20653, only in screwed state with the associated mating piece.

**Connector Drawings**



- |              |                 |
|--------------|-----------------|
| II           | I               |
| PIN 1: brown | PIN 1: brown    |
| PIN 2: white | PIN 2: white    |
| PIN 3: blue  | PIN 3: blue     |
| PIN 4: black | PIN 4: black    |
|              | PIN 5: not used |

**Wiring Diagrams**

